

Maximum Heat Specifications, Performance & Submittal

Model:
Wall Air Handler
208-230V
6k-24k

Wall Air Handler

| Model | | Single Zone | | | Capacity | Voltage | Product Revision |
|-------------------------------|----------|-------------|----------|----------|--|-----------------------|------------------|
| M | H | W | A | L | | D | A |
| Maximum Heat Series Heat Pump | | | | | 06 - 6,000 Btu/h 09 - 9,000 Btu/h 12 - 12,000 Btu/h 18 - 18,000 Btu/h 24 - 24,000 Btu/h | D - 208-230V/1ph/60Hz | |

Indicate the *quantity* of field installed accessories, required for each unit

| QTY Ordered | Description | Part Number |
|-------------|---|-----------------------|
| | Optional: SPARE Hand Held Infrared Remote Control [NOTE: Each Wall Air Handler comes with a hand held remote, standard] | 17317000A64721 |
| | Optional: Wired Wall Controller | 17317100A35011 |
| | Optional: USB Wi-Fi Module | 17310900003167 |

Number of Units Ordered

| | |
|------------|--|
| Approved: | |
| Reviewed: | |
| Contact: | |
| Address: | |
| Phone: | |
| Unit Tag # | |
| REVISION | |

Approval

By: _____



NOTICE: Due to ongoing product development; design, specification and performance data listed within this submittal document are subject to change without notice. Visit our website emiductless.com for the most current performance data or consult the factory.

Hyper Heat Specifications, Performance & Submittal

**Model:
Single Zone
Condenser
208-230V
6k-24k**

Single Zone Condenser (Heat Pump)

| | | | | | | | |
|-------------------------------|----------|--------------------|----------|----------|--|-----------------------|-------------------------|
| Model | | Single Zone | | | Nominal Rated Capacity | Voltage | Product Revision |
| M | H | S | Z | 1 | | D | A |
| Maximum Heat Series Heat Pump | | | | | 06 - 6,000 Btu/h 09 - 9,000 Btu/h 12 - 12,000 Btu/h 18 - 18,000 Btu/h 24 - 24,000 Btu/h | D - 208-230V/1ph/60Hz | |

Indicate the *quantity of field installed accessories, required for each unit*

| QTY Ordered | Description | Part Number | Notes |
|-------------|--|-------------|-------------------|
| | TUBE SET,3/8X1/4X16',5M,09,FLR,INS,US | F0323161A | 06 & 09 size only |
| | TUBE SET,3/8X1/4X26',8M,09,FLR,INS,US | F0323261A | 06 & 09 size only |
| | TUBE SET,3/8X1/4X49',15M,09,FLR,INS,US | F0323491 | 06 & 09 size only |
| | TUBE SET,1/2X1/4X16',5M,12-18,FLR,INS,US | F0423161A | 12 & 18 sizes |
| | TUBE SET,1/2X1/4X26',8M,12-18,FLR,INS,US | F0423261A | 12 & 18 sizes |
| | TUBE SET,1/2X1/4X49',15M,12/18,FLR,INS, | F0423491 | 12 & 18 sizes |
| | TUBE SET,5/8X3/8X26',8M,24-36,FL,INS,US | F0533262A | 24 size only |
| | TUBE SET,5/8x3/8X49',15M,24-36,FL,INS,US | F0533492A | 24 size only |

Number of Units Ordered

| | |
|------------|--|
| Approved: | |
| Reviewed: | |
| Contact: | |
| Address: | |
| Phone: | |
| Unit Tag # | |
| REVISION | |

Approval

By: _____



NOTICE: Due to ongoing product development; design, specification and performance data listed within this submittal document are subject to change without notice. Visit our website emiductless.com for the most current performance data or consult the factory.

Hyper Heat Specification and Performance

Single - Zone Systems 208V-230V 6k-24k

Ductless Mini Split:

- ◆ Heat Pump
- ◆ R-410A refrigerant.
- ◆ Single and multi-zone application flexibility.
- ◆ 20 to 28.1 SEER high efficiency models with capacities from 6,000 Btu/h to 24,000 Btu/h.
- ◆ Easy installation requiring no ductwork, a small hole for running power wiring and refrigerant lines is all that is needed to connect indoor and outdoor sections.
- ◆ Low profile indoor air handler is neutral color that blends with any decor.
- ◆ Next generation outdoor condenser with inverter compressor provides exceptionally quiet operation and intelligently adjusts speed to temperature conditions.
- ◆ Low noise.
- ◆ Low operating cost.
- ◆ Optional wired wall controller
- ◆ Optional Wi-Fi module.
- ◆ Simple design makes it easy to remove and clean the washable filters.
- ◆ Intelligent Design allows system to intelligently adjust the angle of the louver to ensure greatest efficiency for heating and cooling. For more control, manually adjust louver as small as 6 degrees from using the hand-held remote.
- ◆ Golden Fin prevents bacteria breeding and improves heat transfer efficiency. The unique anti-corrosive golden coating on the condenser can withstand salty air, rain, and other corrosive elements.
- ◆ Refrigerant Leakage Detection will better protect compressor being damaged by high temperature due to refrigerant leakage.

Features:

- All models supplied with hand-held Infrared Remote Controller with easy-to-read LCD display. Factory installer operating features provide capacity to set temperature, louver control, fan speeds and more.
- Follow-Me Technology - Mode that activates a temperature sensor that is built into Infrared remote control. When you stay close to the remote control, the unit will continue to condition the space until you are comfortable.
- Turbo Mode - Air condition maximizes output of cooling and heating capacity, making the room cool down or heat up rapidly and attain the desired temperature in the shortest time.
- Auto Restart - If system shuts down due to power failure, system will restart with previous function setting when power is restored.
- Auto Level Swing Louvers - In cooling mode, louvers self adjust to horizontal position and circulate cold air more efficiently. In heating mode, louvers deflect hot air downward so hot air will rise and circulate keeping the room warm.
- 24 Hour Timer - Set a wide variety of timer based operations, start and stop at specific times. Control fan speed as well as cool, heat and auto from anywhere in the room.
- Sleep Mode - Enables the system to gradually decrease cooling or heating output automatically during night operation to maintain comfort level while saving energy.
- Self-Diagnosis & Auto Protection - Should abnormal operation or part failure happen, unit will shut off automatically. Unit will then indicate protection or error code.
- Low Ambient Cooling/Heating - Operating range -22°F to 122°F provide year round cooling/heating comfort.

Hyper Heat Single - Zone Systems 208V-230V 6-24K

| Indoor Wall Air Handler Model | | MHWAL06D | MHWAL09D | MHWAL12D | MHWAL18D | MHWAL24D | |
|-------------------------------|---|--------------|--------------------|--------------------|--------------------|--------------------|--------------------|
| Power Supply | V/ph/Hz | 208-230/1/60 | 208-230/1/60 | 208-230/1/60 | 208-230/1/60 | 208-230/1/60 | |
| Input | W | 50 | 50 | 50 | 36 | 58 | |
| RLA | A | 0.41 | 0.41 | 0.41 | 0.44 | 0.55 | |
| Indoor air flow (Hi/Mi/Lo) | cfm | 320/220/170 | 340/230/180 | 340/230/180 | 530/370/310 | 610/410/320 | |
| Indoor air flow (Hi/Mi/Lo) | m3/h | 540/370/285 | 570/390/300 | 570/390/300 | 840/640/520 | 1039/704/542 | |
| Indoor noise level (Hi/Mi/Lo) | dB(A) | 36/32/23 | 38/33.5/23.5 | 38/33.5/23.5 | 46/42/24 | 46/39/34 | |
| Indoor unit | Dimensions (WxDxH) | inch | 33.7 x 9.1 x 11.7 | 33.7 x 9.1 x 11.7 | 33.7 x 9.1 x 11.7 | 40.3 x 9.7 x 12.6 | 47.1 x 11.0 x 14.6 |
| | Dimensions (WxDxH) | mm | 855 x 231 x 297 | 855 x 231 x 297 | 855 x 231 x 297 | 1023 x 245 x 319 | 1196 x 279 x 370 |
| | Packing (WxDxH) | inch | 33.2 x 12.2 x 14.6 | 33.2 x 12.2 x 14.6 | 33.2 x 12.2 x 14.6 | 43.1 x 12.8 x 15.8 | 50.4 x 14.2 x 17.9 |
| | Packing (WxDxH) | mm | 920 x 310 x 370 | 920 x 310 x 370 | 920 x 310 x 370 | 1095 x 325 x 400 | 1280 x 360 x 455 |
| | Net/Gross weight | lbs. | 22.71/28.88 | 22.71/28.88 | 22.93/28.88 | 27.12/35.71 | 43.65/54.89 |
| kg | | 10.3/13.1 | 10.3/13.1 | 10.4/13.1 | 12.3/16.2 | 19.8/24.9 | |
| Thermostat type | | | Remote Control | Remote Control | Remote Control | Remote Control | Remote Control |
| Thermostat Setting Range | Indoor (cooling/heating) | °C | 16~32/ 0~30 | 16~32/0~27 | 16~32/0~27 | 17~32/0~27 | 17~32/0~27 |
| | | °F | 60~90/32~86 | 60~90/32~81 | 60~90/32~81 | 63~90/32~86 | 63~90/32~86 |
| Refrigerant piping | Liquid side/Gas side | inch | 1/4" / 3/8" | 1/4 x 3/8 | 1/4 x 1/2 | 1/4 x 1/2 | 3/8 x 5/8 |
| | | mm | 6.35 / 9.52 | 6.35 x 9.52 | 6.35 x 12.7 | 6.35 x 12.7 | 9.52 x 15.9 |
| | Maximum pipe length | ft | 82 | 82 | 82 | 98 | 164 |
| | | m | 25 | 25 | 25 | 30 | 50 |
| | Max. height difference between indoor units | ft | 32.8 | 32.8 | 32.8 | 66 | 82 |
| m | | 10 | 10 | 10 | 20 | 25 | |

Interconnect wire: 3 - conductor plus ground, stranded, un-shielded. Wire size is determined by MCA and MOP/fuse, per NEC, CEC and local codes.

Hyper Heat Single - Zone Systems 208V-230V 6-24K

| Outdoor Condensing Unit Model | | MHSZ106DA | MHSZ109DA | MHSZ112DA | MHSZ118DA | MHSZ124DA | |
|---|---|-----------|--|--|--|---|--|
| Power supply | | V/ph/Hz | 208-230/1/60 | 208-230/1/60 | 208-230/1/60 | 208-230/1/60 | |
| Cooling | Capacity | Btu/h | 6000 | 9000 | 12000 | 18000 | 24000 |
| | Rated current | A | 7.6 | 10.04 | 9.96 | 15.3 | 19.0 |
| | EER | | 15.8 | 16.2 | 14 | 12.5 | 13 |
| | SEER | | 26.5 | 28.1 | 25.5 | 21.5 | 21.5 |
| Heating | Capacity (at 47°F/8.3°C) | Btu/h | 7000 | 11800 | 12000 | 18000 | 29000 |
| | Input | W | 449 | 907 | 907 | 1700 | 2500 |
| | Rated current | A | 3.92 | 4.1 | 4.1 | 7.3 | 10.9 |
| | COP | | 3.92 | 3.81 | 3.88 | 3.10 | 3.40 |
| | HSPF | | 14 | 13 | 13 | 13 | 12 |
| MINIMUM CIRCUIT AMPACITY | | A | 13 | 15 | 15 | 16 | 25 |
| MAX TIME DELAY FUUSE OR HARC BREAKER | | A | 15 | 15 | 15 | 25 | 35 |
| Outdoor air flow | | m3/h | 2200 | 2200 | 2200 | 3000 | 3700 |
| Outdoor air flow | | cfm | 1300 | 1300 | 1300 | 1750 | 2200 |
| Outdoor noise level | | dB(A) | 53 | 54.5 | 56 | 59 | 62 |
| Outdoor unit | Dimension (WxDxH) | inch | 30 ³ / ₈ x 11 ¹⁵ / ₁₆ x 21 ⁷ / ₈ | 31 ¹¹ / ₁₆ x 13 x 21 ¹⁵ / ₁₆ | 31 ¹¹ / ₁₆ x 13 x 21 ¹⁵ / ₁₆ | 35 ¹ / ₁₆ x 13 ¹ / ₂ x 26 ¹ / ₂ | 37 ¹ / ₄ x 16 ¹ / ₈ x 31 ⁷ / ₈ |
| | Dimension (WxDxH) | mm | 765x303x555 | 805x330x554 | 805x330x554 | 890x342x673 | 946x410x810 |
| | Packing (WxDxH) | inch | 34 ¹⁵ / ₁₆ x 13 ³ / ₄ x 24 | 36 x 14 ⁹ / ₁₆ x 24 ³ / ₄ | 36 x 14 ⁹ / ₁₆ x 24 ³ / ₄ | 39 ³ / ₁₆ x 15 ¹¹ / ₁₆ x 29 ³ / ₈ | 42 ¹⁵ / ₁₆ x 19 ¹¹ / ₁₆ x 34 ⁷ / ₈ |
| | Packing (WxDxH) | mm | 887x337x610 | 915x370x615 | 915x370x615 | 995x398x740 | 1090x500x885 |
| | Gross weight | lbs. | 69.00 | 80.25 | 79.37 | 108.03 | 144.40 |
| | Gross weight | kg | 31.3 | 36.4 | 36 | 49 | 65.5 |
| Refrigerant type - 410A / oz | | oz | 38.1 | 41.62 | 41.62 | 65.2 | 91.7 |
| Refrigerant precharge (Total pipe length) | | ft | 25.0 | 25.0 | 25.0 | 25.0 | 25.0 |
| Additional charge for each ft | | oz | 7.6 | 7.6 | 7.6 | 7.6 | 7.6 |
| Design pressure | | psig | 550/340 | 550/340 | 550/340 | 550/340 | 550/340 |
| Refrigerant piping | Liquid side/Gas side | inch | 1/4 liquid line 3/8 gas line | 1/4 liquid line 3/8 gas line | 1/4 liquid line 1/2 gas line | 1/4 liquid line 1/2 gas line | 3/8 liquid line 5/8 gas line |
| | | mm | 6.35 liquid line 9.52 gas line | 6.35 liquid line 9.52 gas line | 6.35 liquid line 12.7 gas line | 6.35 liquid line 12.7 gas line | 9.52 liquid line 15.9 gas line |
| | Max. pipe length | ft | 82.0 | 82.0 | 82.0 | 98.0 | 164.0 |
| | | m | 25.0 | 25.0 | 25.0 | 30.0 | 50.0 |
| | Max. height difference between indoor units | ft | 32.8 | 32.8 | 32.8 | 66.0 | 82.0 |
| | | m | 10.0 | 10.0 | 10.0 | 20.0 | 25.0 |
| Operating Range Ambient Temperature | Indoor (cooling/heating) | °F | 60~90 / 32~86 | 60~90 / 32~81 | 60~90 / 32~81 | 63~90 / 32~86 | 63~90 / 32~86 |
| | | °C | 16~32 / 0~30 | 16~32 / 0~27 | 16~32 / 0~27 | 17~32 / 0~30 | 17~32 / 0~30 |
| | Outdoor (cooling/heating) | °F | -22~122 / -22~86 | -22~122 / -22~86 | -22~122 / -22~86 | -22~122 / -22~86 | -22~122 / -22~86 |
| | | °C | -30~50 / -30~30 | -30~50 / -30~30 | -30~50 / -30~30 | -30~50 / -30~30 | -30~50 / -30~30 |

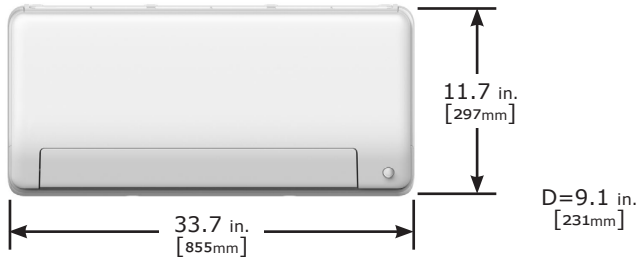
Additional Refrigerant Calculation: Sum Total Liquid Pipe ft. (m) - Additional Charge Required After ft. (m.) x Additional Charge oz./ft. (g/m) 0.16 (15)

NOTES: If the calculation results in a negative number no refrigerant is required to be added or removed. Electronic expansion valves in the outdoor unit are used as metering devices

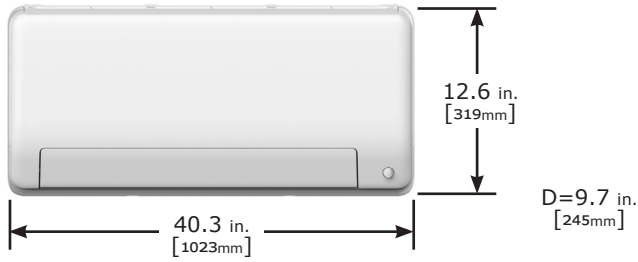
NOTE: The refrigerant charge included is adequate for the outdoor unit's maximum number of zones multiplied by the standard piping length per zone. For piping runs greater than the "Maximum Piping Length with no additional refrigerant charge per System", see Additional Refrigerant Charge (see Table 3).

Refrigerant Piping: Line sets to be sized based on the connection size of the indoor unit. Each pipe should be insulated individually.

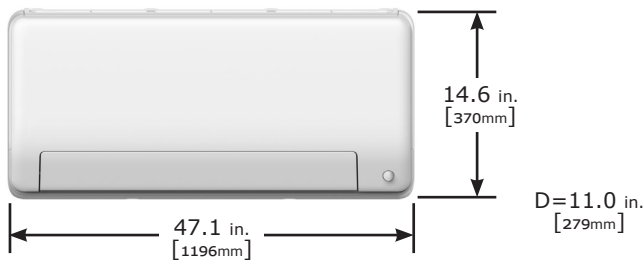
MHWAL06D, MHWAL09D & MHWAL12D



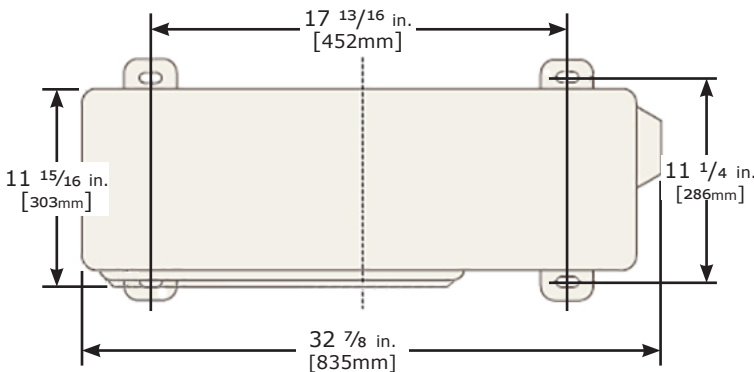
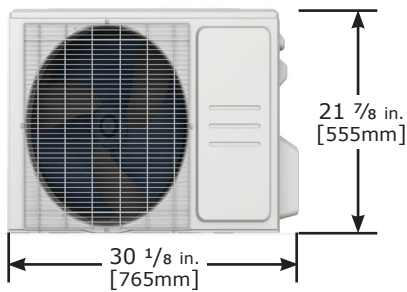
MHWAL18D



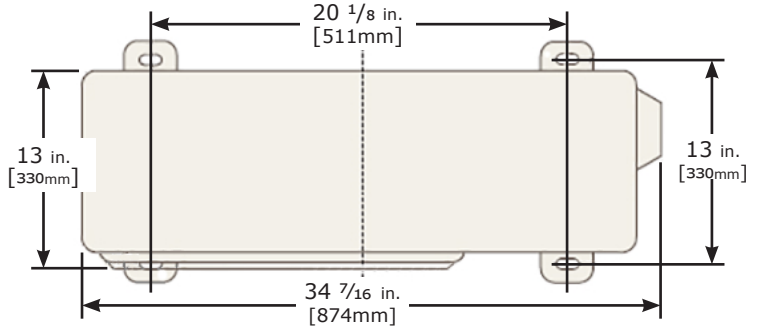
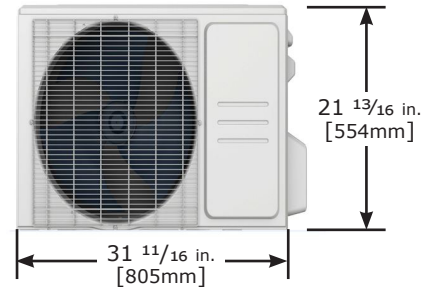
MHWAL24D



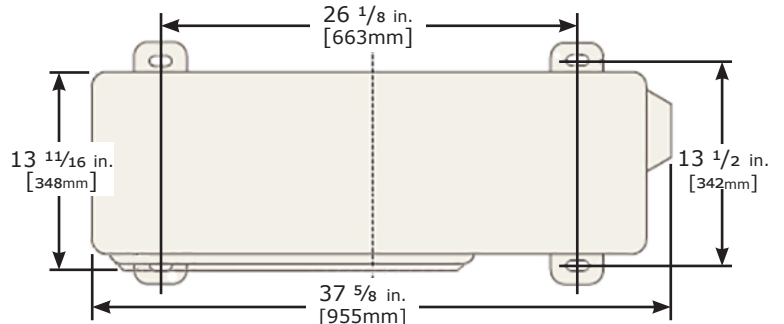
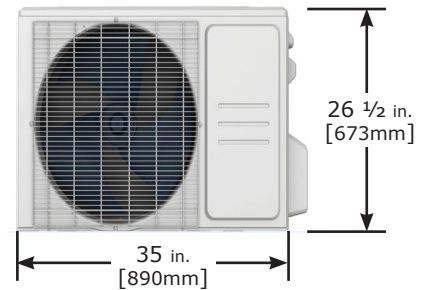
MHSZ106DA



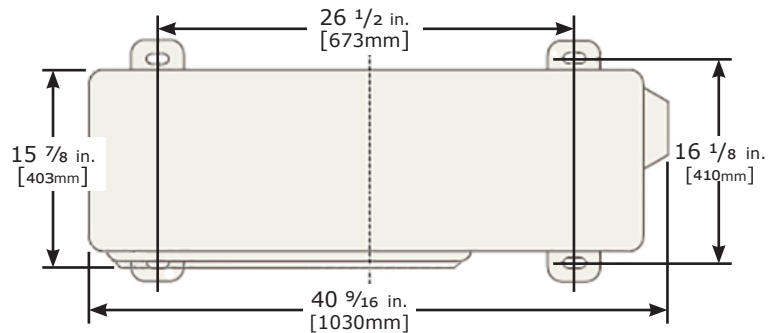
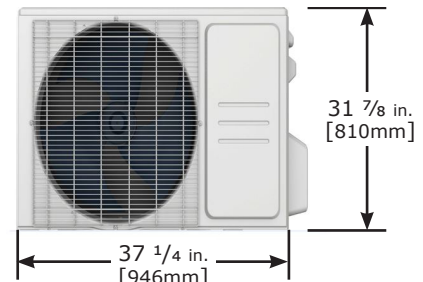
MHSZ109DA & MHSZ112DA



MHSZ118DA



MHSZ124DA



Handheld Remote Controller

Every EMI System comes with an easy to use handheld remote so you can adjust your comfort level at the touch of a button.

- Enabling "Follow Me" Technology. When "Follow Me" mode is activated, the system switches from air handler-mounted room temperature sensor, to the sensor inside of the infrared handheld remote control. The unit conditions the space where you are, with the remote close at hand.
- Enabling Timer Modes - On a schedule? Control variety of settings with precision through the Timer Mode. Never worry about arriving to a cold home again. If the system stops due to power outage, it will automatically restart to its last setting when the power comes back.



Optional Wired Wall Thermostat

Instead of a hand-held remote controller, the unit can be wired to a wall mounted thermostat. Optional USB, Wi-Fi module is also available.



2201 Dwyer Avenue, Utica, NY 13501
Tel. 800 325 5479
www.ecrinternational.com

All specifications subject to change without notice.
©2022 ECR International, Inc.